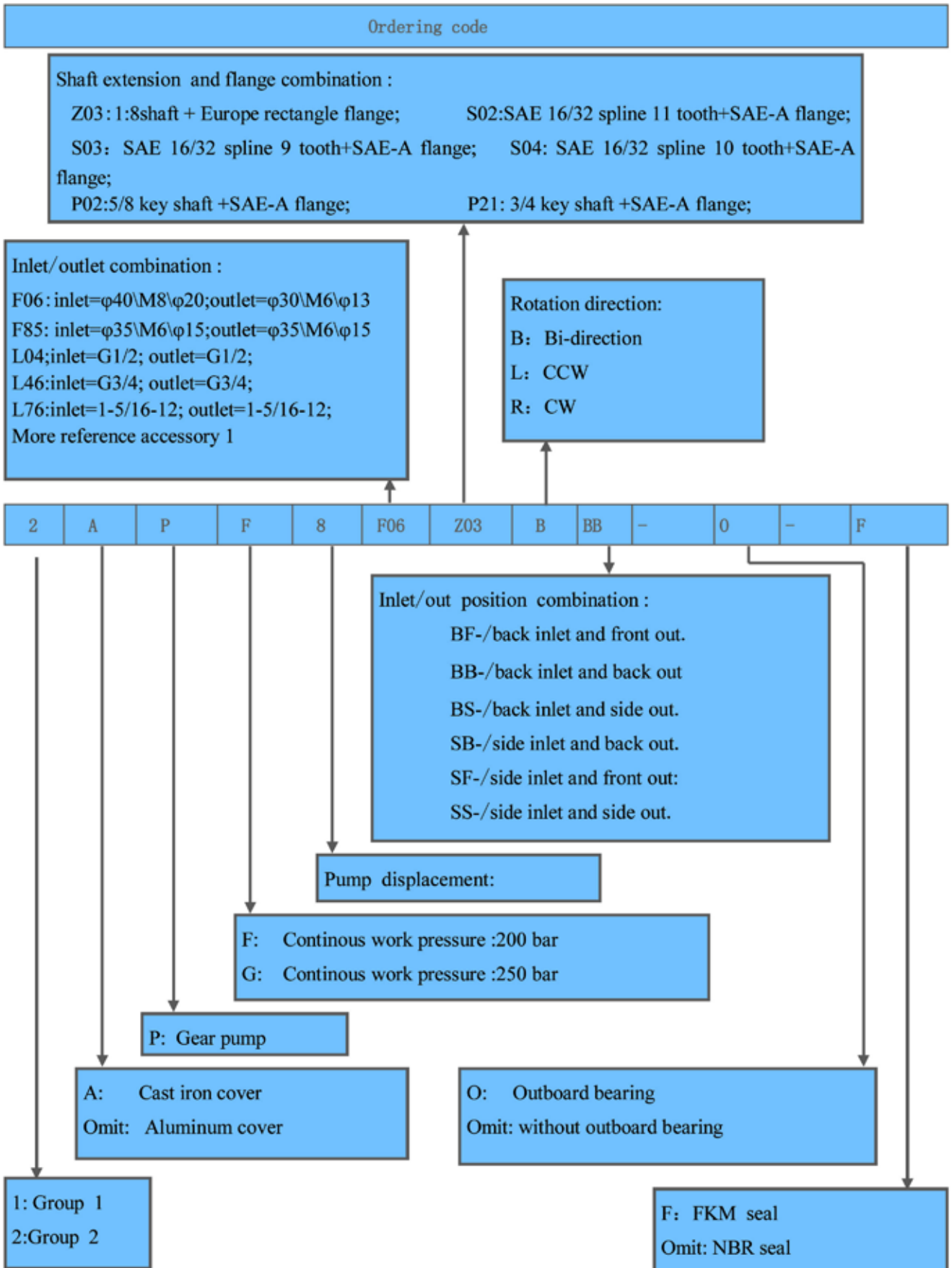


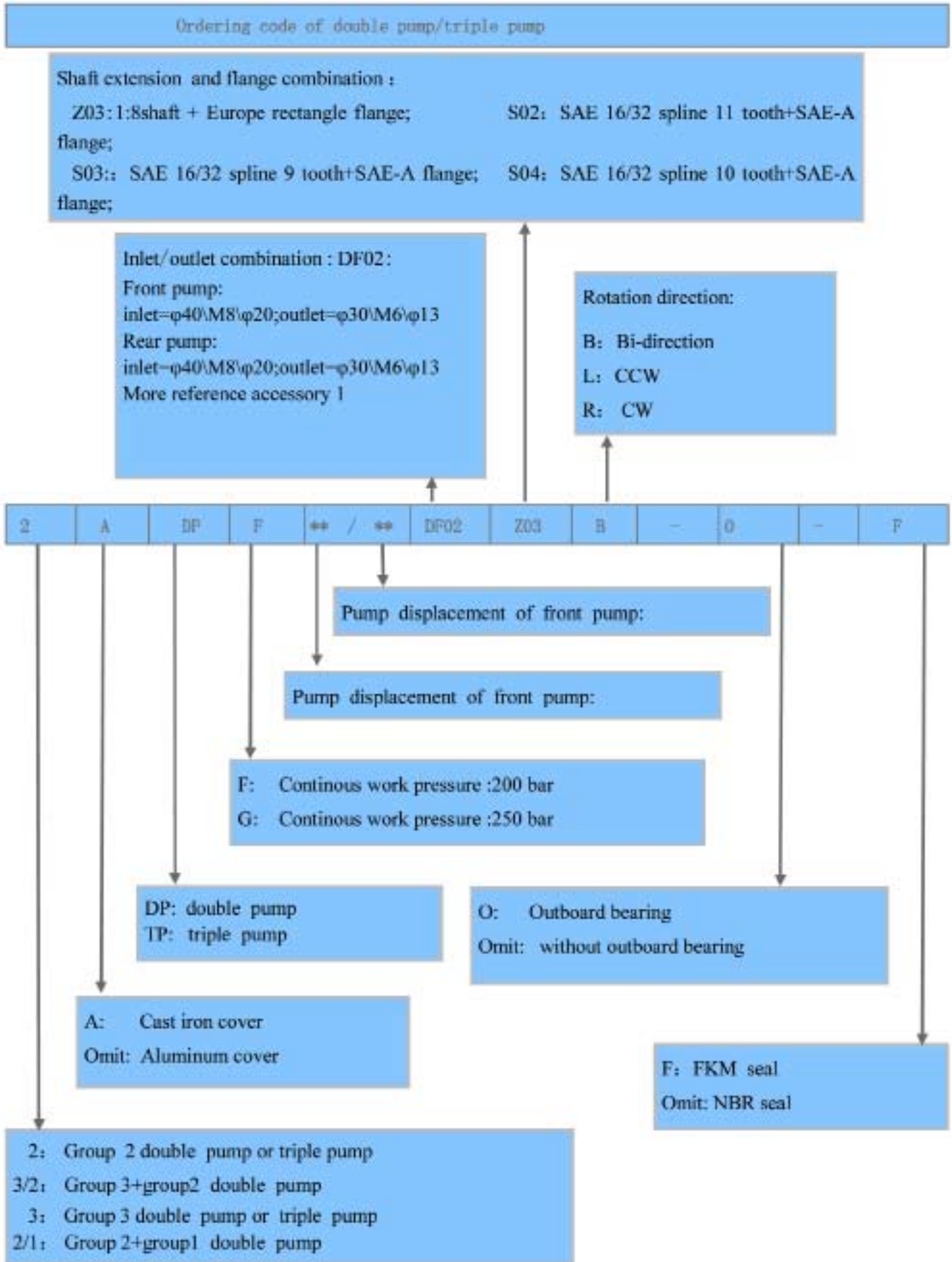


## *EXTERNAL GEAR PUMPS*

# GEAR PUMP USE GUIDE



# GEAR PUMP USE GUIDE

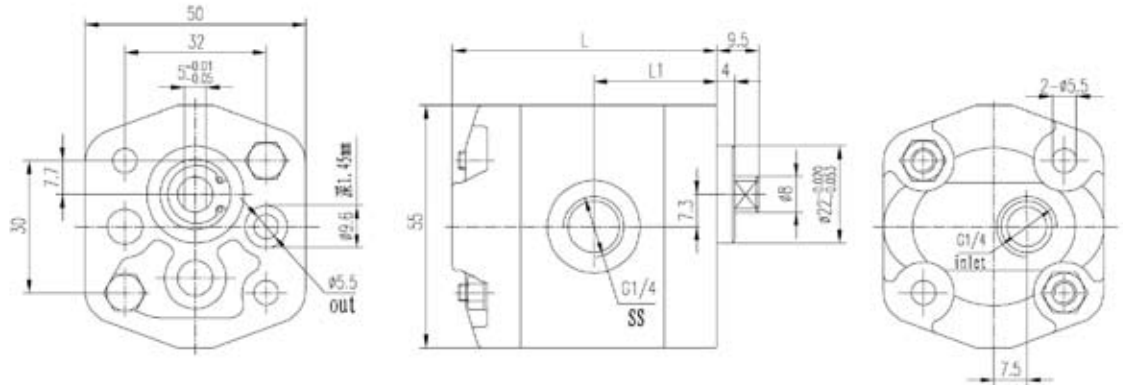


# MODEL OPF1 - OAPF1



## SPECIFICATION

MODEL	DISPLACMENT (ml/r)	PRESSURE (/bar)		SPEED (r/min)			L (mm)	L1 (mm) SS/Ø	Conoction
		RATED	PEAK	RATED	MAX	Min			
OPF0.16L07B01***	0.16	200	250	2000	6000	800	61	1/2	G1/4
OPF0.25L07B01***	0.25	200	250	2000	6000	800	62		
OPF0.38L07B01***	0.38	200	250	2000	6000	800	62.5		
OPF0.50L07B01***	0.50	200	250	2000	6000	800	63		
OPF0.75L07B01***	0.75	200	250	2000	6000	800	66		
OPF1.00L07B01***	1.00	200	250	2000	6000	800	68		
OPF1.25L07B01***	1.25	200	250	2000	5000	800	71		
OPF1.50L07B01***	1.50	200	250	2000	4500	800	73		
OPF1.75L07B01***	1.75	200	250	2000	4000	800	75		
OPF2.00L07B01***	2.00	160	200	2000	3500	800	77		



## MODEL INSTRUCTION

0	P	F	***	L07	B01	/L	**
group number	function code	pressure level code	Displacement	Inlet/outlet combination	shaft extension combination	Rotate direction	inlet/out position combination
0: 0 group	P: Gear pump M: motor	F:16~25Mpa	reference above table	L07, etc reference accessory1	B01, etc reference accessory 2	L-left rotate Ø:right rotate	BF, etc reference below table

BF-Back inlet and front out.

BB-Back inlet and back out

BS-Back inlet and side out.

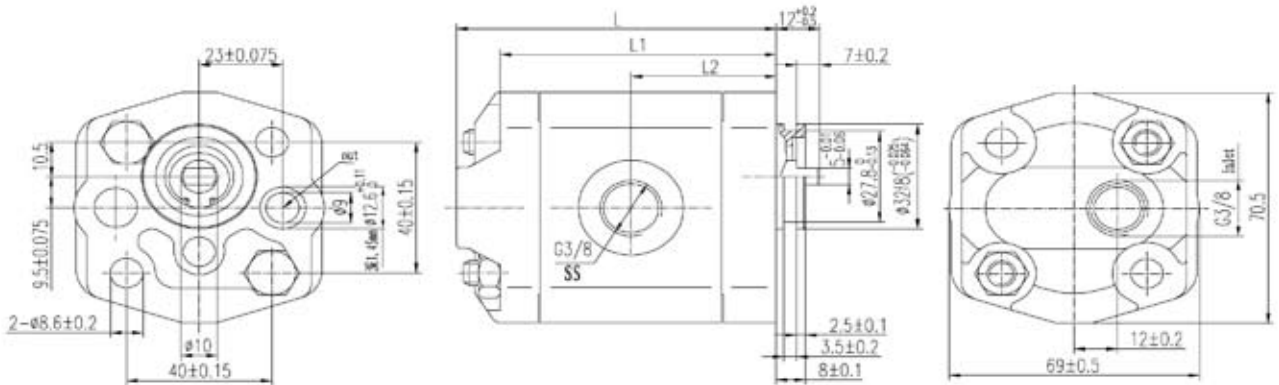
SB- Side inlet and back out.

SF-Side inlet and front out.

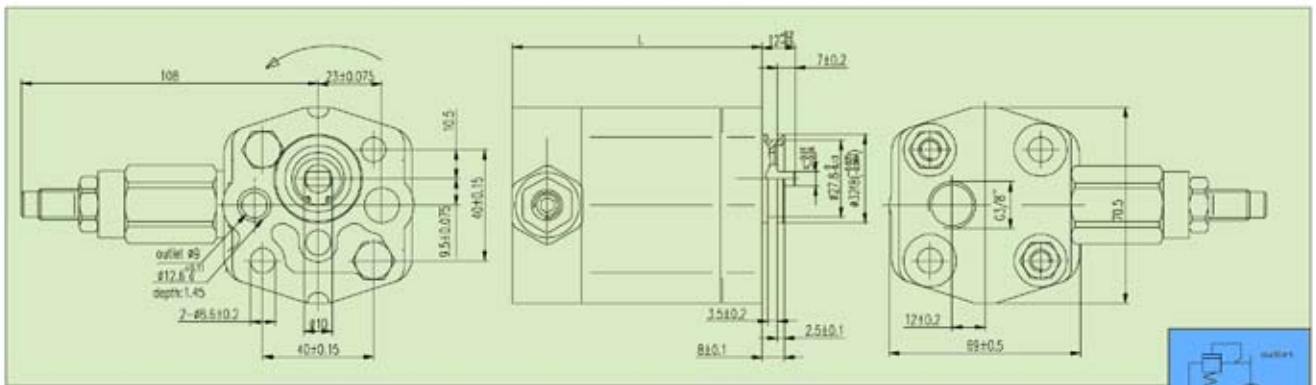
SS- Side inlet and side out.

### SPECIFICATION

MODEL	DISPLACEMENT (ml/r)	PRESSURE (bar)		SPEED (r/min)			L (mm)	L1 (mm)	L2 (mm) SS	INLET
		RATED	PEAK	RATED	MAX	Min				
1PI1.1L01B02***	1.1	200	250	2000	6000	600	74	62	33	G3/8
1PI1.3L01B02***	1.3	200	250	2000	6000	600	75	63	33.5	
1PI1.6L01B02***	1.6	200	250	2000	6000	600	76	64	34	
1PI1.8L01B02***	1.8	200	250	2000	6000	600	77	65	34.5	
1PI2.1L01B02***	2.1	200	250	2000	6000	600	78	66	35	
1PI2.7L01B02***	2.7	200	250	2000	6000	600	80	68	36	
1PI3.2L01B02***	3.2	200	250	2000	5000	600	82	70	37	
1PI3.7L01B02***	3.7	200	250	2000	4500	600	84	72	38	
1PI4.2L01B02***	4.2	200	250	2000	4000	600	86	74	39	
1PI4.8L01B02***	4.8	160	200	2000	3500	600	88	76	40	
1PI5.8L01B02***	5.8	160	200	2000	2900	600	92	80	42	
1PI8.0L01B02***	8.0	160	200	2000	2100	600	100	88	46	



#### OPTION: WITH RELIEF VALVE 1PF\*\*F01B02



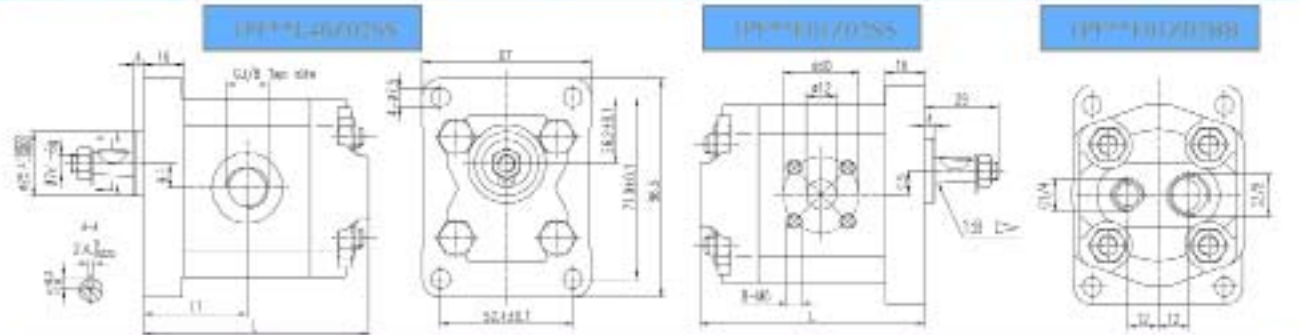
#### ADJUSTED PRESSURE OF RELIEF VALVE 50BAR TO 250 BAR

**MODEL 1PF**

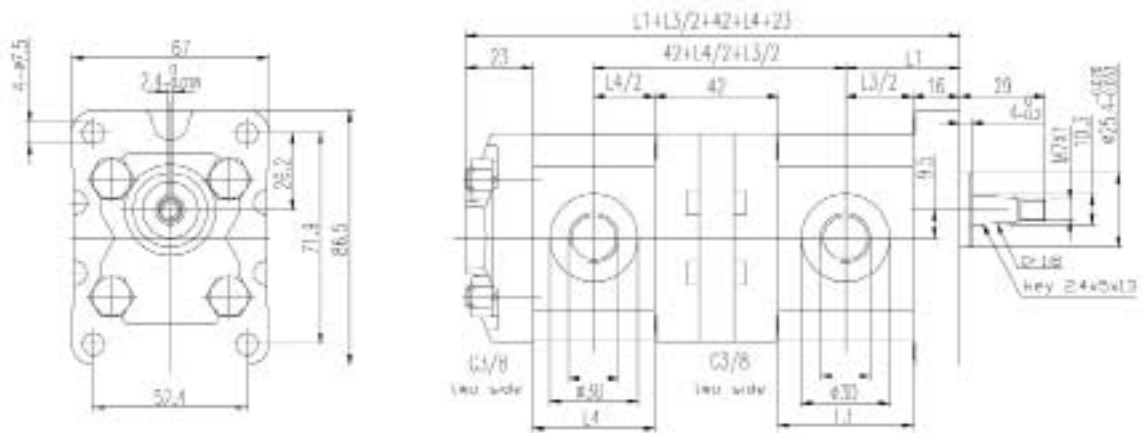


**SPECIFICATION**

MODEL	DISPLACEMENT (ml/r)	PRESSURE (bar)		SPEED (l/min)			L (mm)	L1 (mm)
		RATED	PEAK	RATED	MAX	Min		
1PF1.1**Z02**	1.1	200	250	2000	6000	600	75	33
1PF1.3**Z02**	1.3	200	250	2000	6000	600	76	34
1PF1.6**Z02**	1.6	200	250	2000	6000	600	78	35
1PF1.8**Z02**	1.8	200	250	2000	6000	600	78.5	35.3
1PF2.1**Z02**	2.1	200	250	2000	6000	600	79	36
1PF2.7**Z02**	2.7	200	250	2000	6000	600	81	37
1PF3.2**Z02**	3.2	200	250	2000	5000	600	83	38
1PF3.7**Z02**	3.7	200	250	2000	4500	600	85	39
1PF4.2**Z02**	4.2	200	250	2000	4000	600	87	40
1PF4.8**Z02**	4.8	160	200	2000	3500	600	89	41
1PF5.8**Z02**	5.8	160	200	2000	2900	600	93	43
1PF8.0**Z02**	8.0	160	200	2000	2100	600	101	47



1DPF\*\*/\*\*DL\*\*Z02\* DOUBLE PUMP /1DPF\*\*/\*\*DL\*\*Z02\*



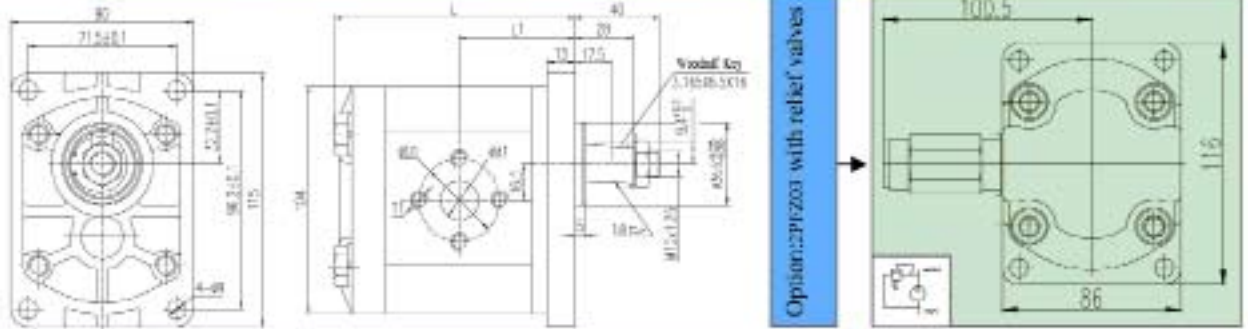
DISPLACEMENT (ml/r)	1.1	1.3	1.6	2.1	2.7	3.2	3.7	4.2	4.8	5.8	8.0
L3 (for pump) / L4 (rear pump)	36	37	38	40	42	44	46	48	50	54	62

MODEL 2PF

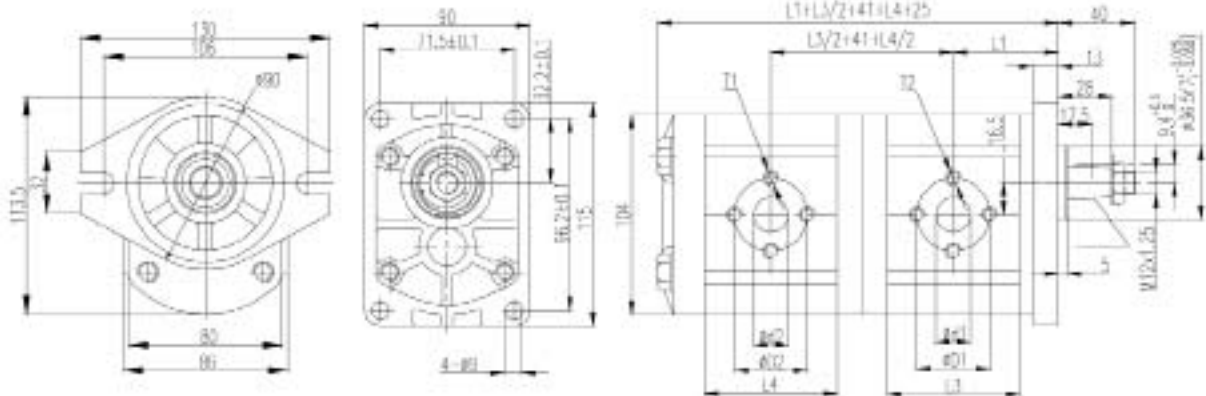


**SPECIFICATION**

MODEL	DISPLACEMENT (ml/r)	PRESSURE (bar)		MPF-ZZ (mm <sup>2</sup> )			L1 (mm)	L4 (mm)	Inlet			Outlet		
		EXCEL	PEAK	EXCEL	PEAK	VAL			Z02	Z42	Z1	Z02	Z42	Z2
2PF040Z03*	4	200(250)	250(300)	2000	3300	500	88	46	30	13	50	30	13	M6
2PF060Z03*	6	200(250)	250(300)	2000	3300	600	100	47						
2PF080Z03*	8	200(250)	250(300)	2000	3300	700	104	48						
2PF100Z03*	10	200(250)	250(300)	2000	3300	800	106	50						
2PF120Z03*	12	200(250)	250(300)	2000	3300	900	110	52						
2PF140Z03*	14	200(250)	250(300)	2000	3300	900	112	53						
2PF160Z03*	16	200(250)	250(300)	2000	3300	900	116	53						
2PF180Z03*	18	200(250)	250(300)	2000	3300	900	119	57	40	20	50	30	13	M6
2PF200Z03*	20	200(250)	250(300)	2000	3300	900	122	58						
2PF230Z03*	23	200(250)	250(300)	2000	3300	900	125	60						
2PF250Z03*	25	200(250)	250(300)	2000	3300	900	130	62						
2PF280Z03*	28	160(200)	200(250)	2000	2500	900	133	63						
2PF300Z03*	30	160(200)	200(250)	2000	2500	900	138	66						



**2ADPF\*\*/\*\*DF02Z03\* DOUBLE PUMP /2ADPF\*\*/\*\*DF02Z03\***



DISPLACEMENT ml(r)	4	6	8	10	12	14	16	18	20	23	25	28	30
L3(front pump) / L4(rear pump)	51	54	57	60	63	66	69	72	75	79.5	82.5	87	90

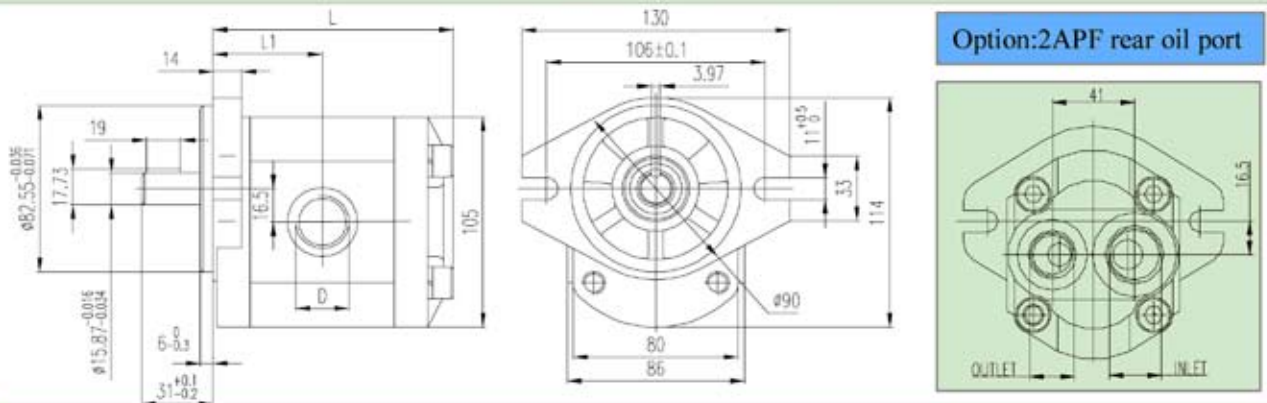
**MODEL 2PF**



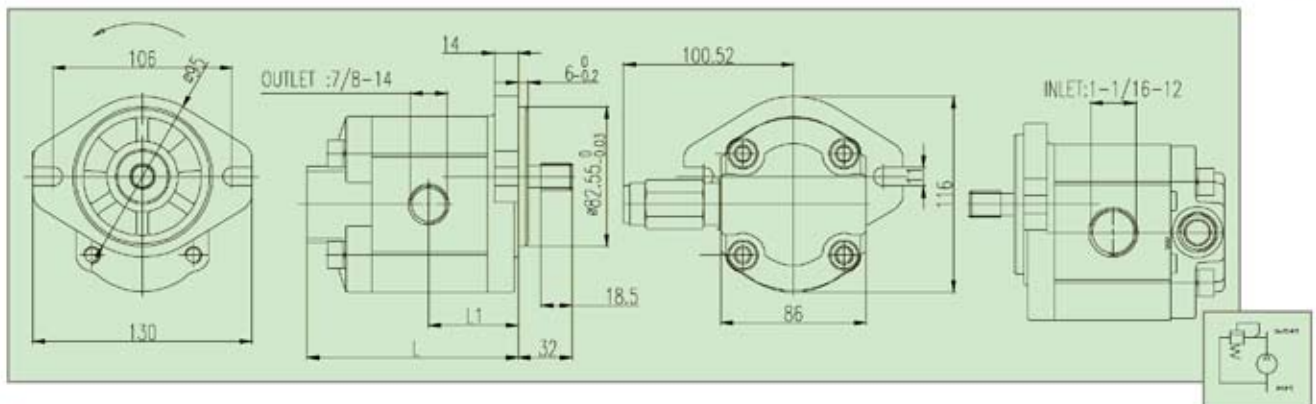
**SPECIFICATION**

MODEL	DISPLACMENT (ml/r)	PRESSUR 压力 (bar)		SPEED 转速 (r/min)			L (mm)	L1 (mm)	D	
		RATED	PEAK	RATED	MAX	Min			IN	OUT
2PF4L09P02*	4	200(250)	250(300)	2000	3500	500	96	44	PT 1/2	PT 1/2
2PF6L09P02*	6	200(250)	250(300)	2000	3500	500	98	45		
2PF8L09P02*	8	200(250)	250(300)	2000	3500	500	102	47		
2PF10L09P02*	10	200(250)	250(300)	2000	3500	500	104	48		
2PF12L10P02*	12	200(250)	250(300)	2000	3500	500	108	50		
2PF14L10P02*	14	200(250)	250(300)	2000	3500	500	110	51	PT 3/4	PT 1/2
2PF16L10P02*	16	200(250)	250(300)	2000	3500	500	114	53		
2PF18L10P02*	18	200(250)	250(300)	2000	3500	500	117	55		
2PF20L10P02*	20	200(250)	250(300)	2000	3500	500	120	56		
2PF23L10P02*	23	200(250)	250(300)	2000	3500	500	123	58		
2PF25L10P02*	25	200(250)	250(300)	2000	3500	500	128	60		
2PF28L10P02*	28	160(200)	200(250)	2000	3500	500	133	63		
2PF30L10P02*	30	160(200)	200(250)	2000	3500	500	136	64		

**OPTION: REAR PORT 2PF\*\*L\*\*P02-BB**



**OPTION: WITH RELIEFE VALVE 2PF\*\*L\*\*P02-V**



**ADJUSTED PRESSURE OF RELIEF VALVE 50BAR TO 250 BAR**



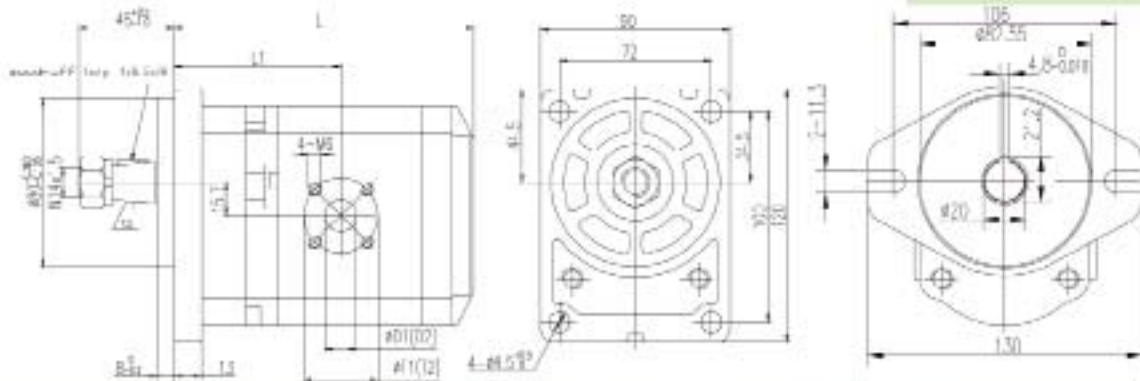
# MODEL 2PF



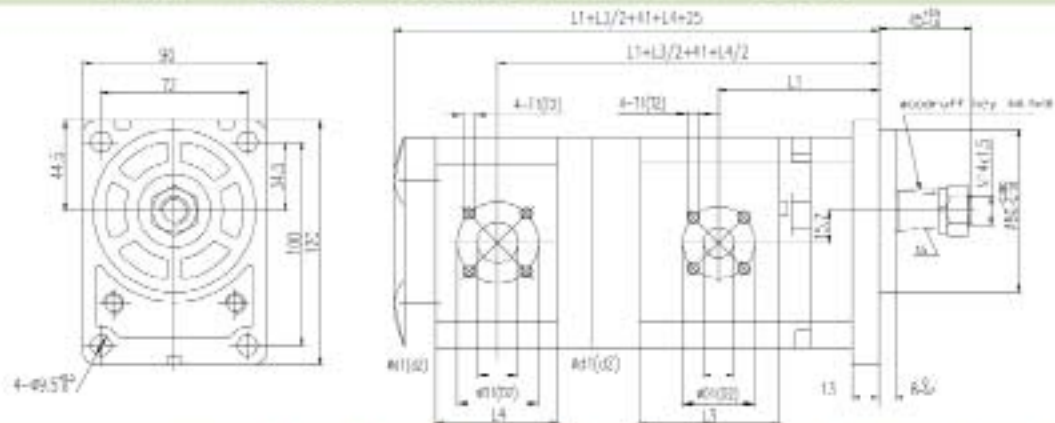
## SPECIFICATION

MODEL	DISPLACEMENT (ml/r)	PRESSURE (bar)		SPEED (rpm)			L (mm)	L1 (mm)	Inlet			Outlet		
		MAX	WORK	MAX	WORK	MIN			D1	F1	T1	D2	F2	T2
2PF040218*04	4	200(250)	250(300)	2000	1100	300	123	73	40	37	M6	23	13	M6
2PF060218*06	6	200(250)	250(300)	2000	1100	300	124	74						
2PF080218*08	8	200(250)	250(300)	2000	1200	300	127	77						
2PF100218*10	10	200(250)	250(300)	2000	1300	300	130	77						
2PF120218*12	12	200(250)	250(300)	2000	1400	300	133	79						
2PF140218*14	14	200(250)	250(300)	2000	1500	300	137	80						
2PF160218*16	16	200(250)	250(300)	2000	1500	300	141	82	40	39	M6	23	13	M6
2PF180218*18	18	200(250)	250(300)	2000	1600	300	143	83						
2PF200218*20	20	200(250)	250(300)	2000	1700	300	147	86						
2PF230218*23	23	200(250)	250(300)	2000	1700	300	153	89						
2PF250218*25	25	200(250)	250(300)	2000	1700	300	157	92						

OPTION: 2PF\*\*F\*\*P21\*-O



2ADPF\*\*/\*\*DF05Z18\* DOUBLE PUMP /2ADPF\*\*/\*\*DF05Z18\*



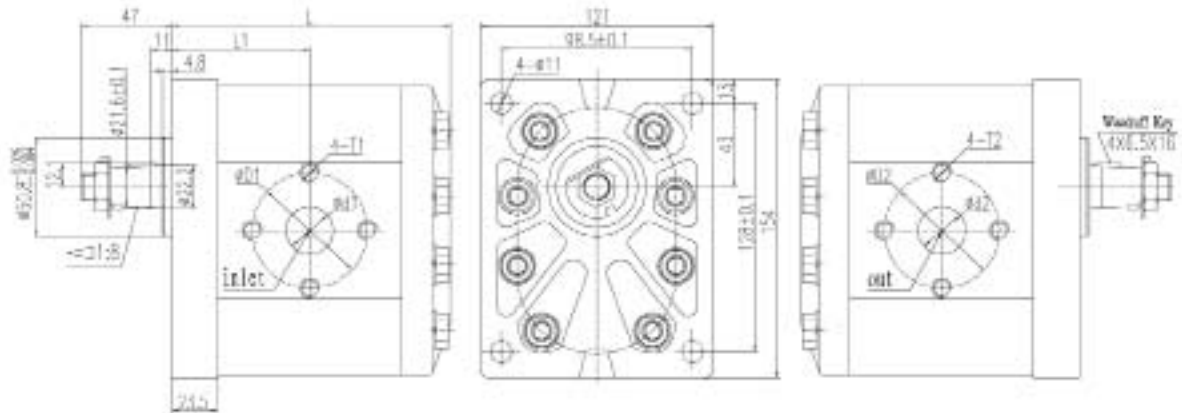
DISPLACEMENT (ml/r)	4	6	8	10	12	14	16	18	20	23	25	28	30
L3(front pump) / L4(rear pump)	51	54	57	60	63	66	69	72	75	79.5	82.5	87	90

MODEL 3PF

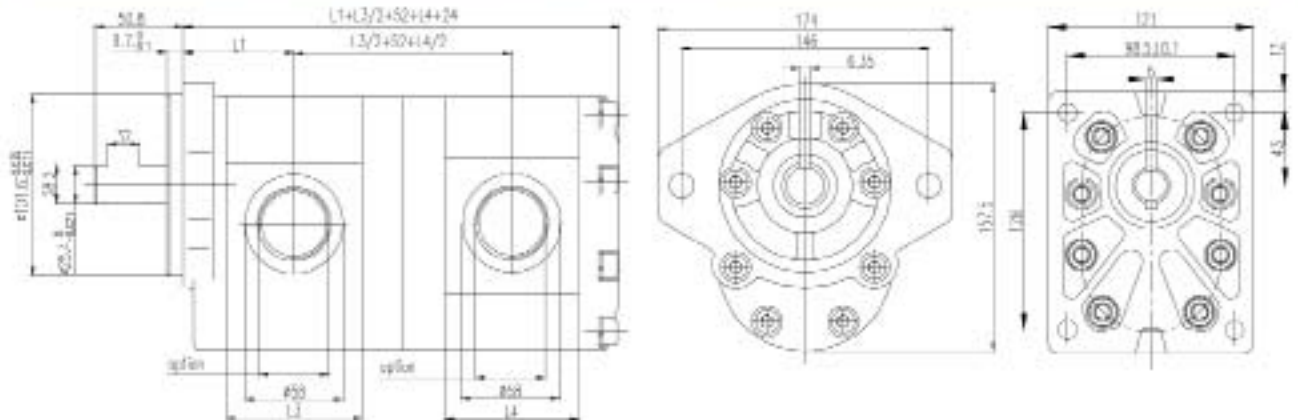


SPECIFICATION

MODEL	DISPLACEMENT (ml/r)	PRESSURE (bar)		SPEED (rpm)			L (mm)	L1 (mm)	H11 (mm)	H11 (mm)	H1 (mm)	H12 (mm)	H13 (mm)	H14 (mm)	
		MAX	PSA	MAX	MAX	MIN									
3DPF22**	22	280(250)	250(300)	2000	3000	400	129	84	56	27	M10	56	10	M10	
3DPF26**	26	280(250)	250(300)	2000	3000	400	132	66							
3DPF34**	34	280(250)	250(300)	2000	3000	400	137	68							
3DPF39**	39	280(250)	250(300)	2000	3000	400	141	70							
3DPF43**	43	280(250)	250(300)	2000	2800	400	144	71	51	27	M10	51	27	M10	
3DPF51**	51	280(250)	250(300)	2000	2400	400	150	74							56
3DPF60**	60	180(200)	230(270)	1500	2800	400	156	77	62	23	M10	51	27	M10	
3DPF70**	70	180(200)	200(230)	1500	2500	400	163	81							
3DPF78**	78	180(200)	200(230)	1500	2300	400	166	83							
3DPF89**	89	180(200)	180(200)	1500	2000	400	174	87							



3DPF\*\*/\*\*DL\*\*Z05(S05)\* DOUBLE PUMP



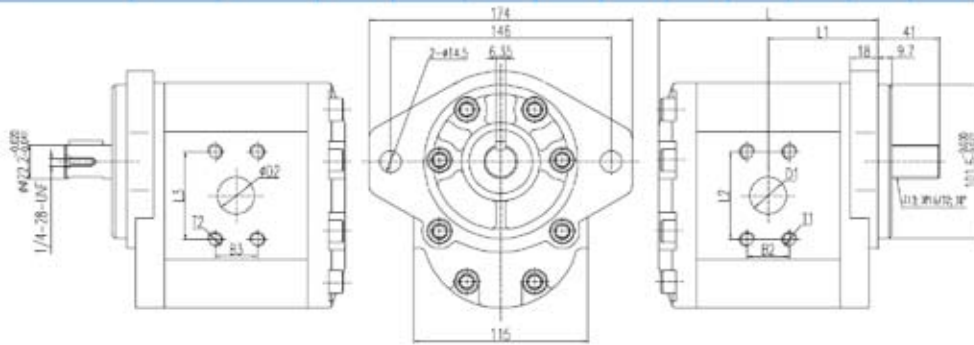
DISPLACEMENT (ml/r)	22	26	34	39	43	51	60	70
L3(flow pump) / L4(rear pump)	72.5	75	79	83	85	91	97	105

# MODEL 3PF

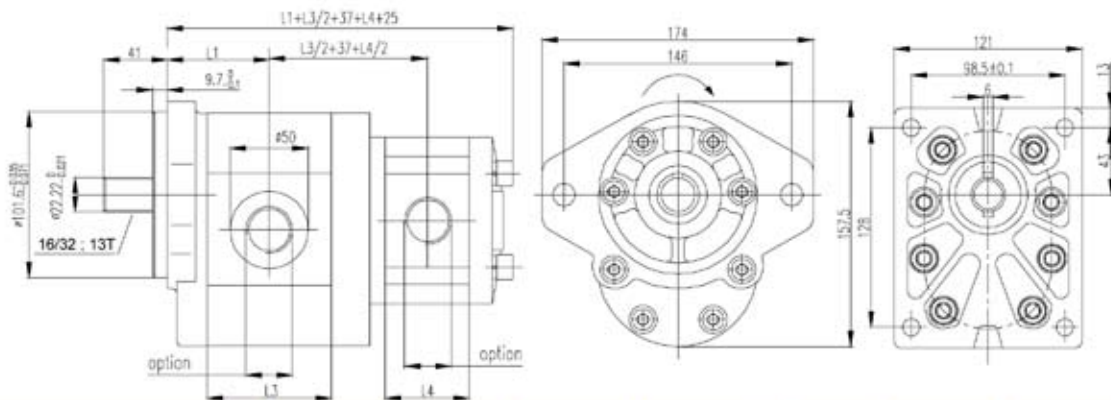


## SPECIFICATION

MODEL	DISPLACEMENT (ml/r)	PRESSURE (bar)		SPEED (r/min)			L	L1	L2	B2	øD1	T1	L3	B3	øD2	T2
		RATED	PEAK	RATED	MAX	M6										
3PF22P33	22	200(250)	250(300)	2000	3000	400	131	66	52.4	26.2	27	16U NC- 2B	26.2	47.6	19	3/8
3PF26P33	26	200(250)	250(300)	2000	3000	400	134	67								
3PF34P33	34	200(250)	250(300)	2000	3000	400	139	69								
3PF39P33	39	200(250)	250(300)	2000	3000	400	143	71								
3PF43P33	43	200(250)	250(300)	2000	2800	400	147	73								
3PF51P33	51	200(250)	250(300)	2000	2400	400	152	76								
3PF60P36	60	180(200)	230(250)	1500	2800	400	158	79	58.7	28.4	33	14U NC- 2B	26.2	52.4	27	
3PF70P36	70	180(200)	200(230)	1500	2500	400	166	82								
3PF78P36	78	160(200)	200(230)	1500	2300	400	171	85								
3PF89P36	89	140(180)	180(200)	1500	2000	400	176	88								



### 3/2DPF\*\*/\*\*DL\*\*Z05(S05)\* DOUBLE PUMP



DISPLACEMENT (ml/r)	22	26	34	39	43	51	60	70					
L3(front pump)	72.5	75	79	83	85	91	97	105					
DISPLACEMENT (ml/r)	4	6	8	10	12	14	16	18	20	23	25	28	30
L4(rear pump)	51	54	57	60	63	66	69	72	75	79.5	82.5	87	90